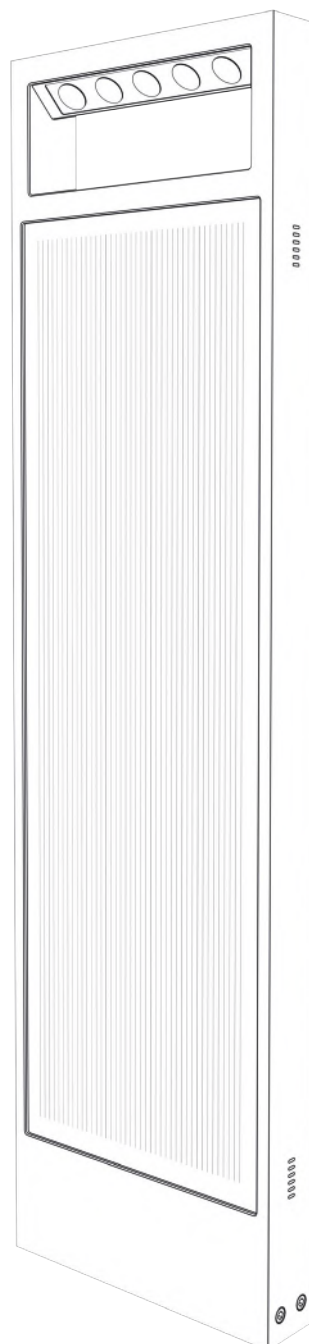
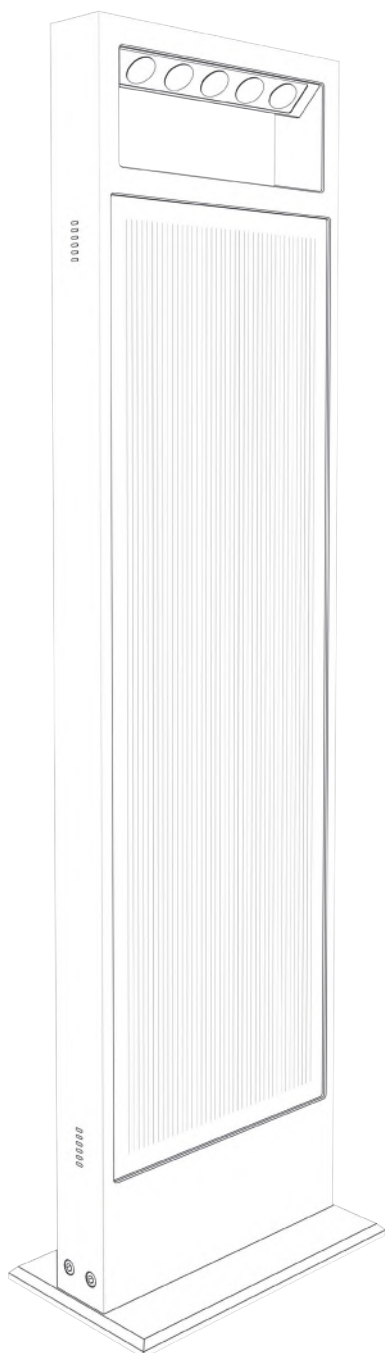


photinus

DATASHEET V.1 | 2017

juno



1

juno

SELF-SUFFICIENT SOLAR LED LIGHT FOR SIDEWALKS, DRIVEWAYS, PARKS AND MORE

USE

Photinus has developed an innovative technology with its vertical facing solar module, which has opened new dimensions in both design and functionality. This unique construction guarantees unrestricted energy intake and cannot be blocked by snow or foliage.

Furthermore, in poor light conditions, 100% of the light reflecting will be absorbed, which is a significant advantage over traditional solar lights. With the elegant design, there are no limits to the possibilities for these lights.

The Juno solar lights are ideal lighting for sidewalks, driveways, pedestrian paths, parks, private garden facilities, promenades, boardwalks and any location where there is no access to electrical power.

FUNCTION

The integrated battery is loaded by the photinus high performance photovoltaic module and when dusk comes this energy is used to efficiently operate the LED array.

2

TECHNICAL DATA

SOLARMODULE AND BATTERY

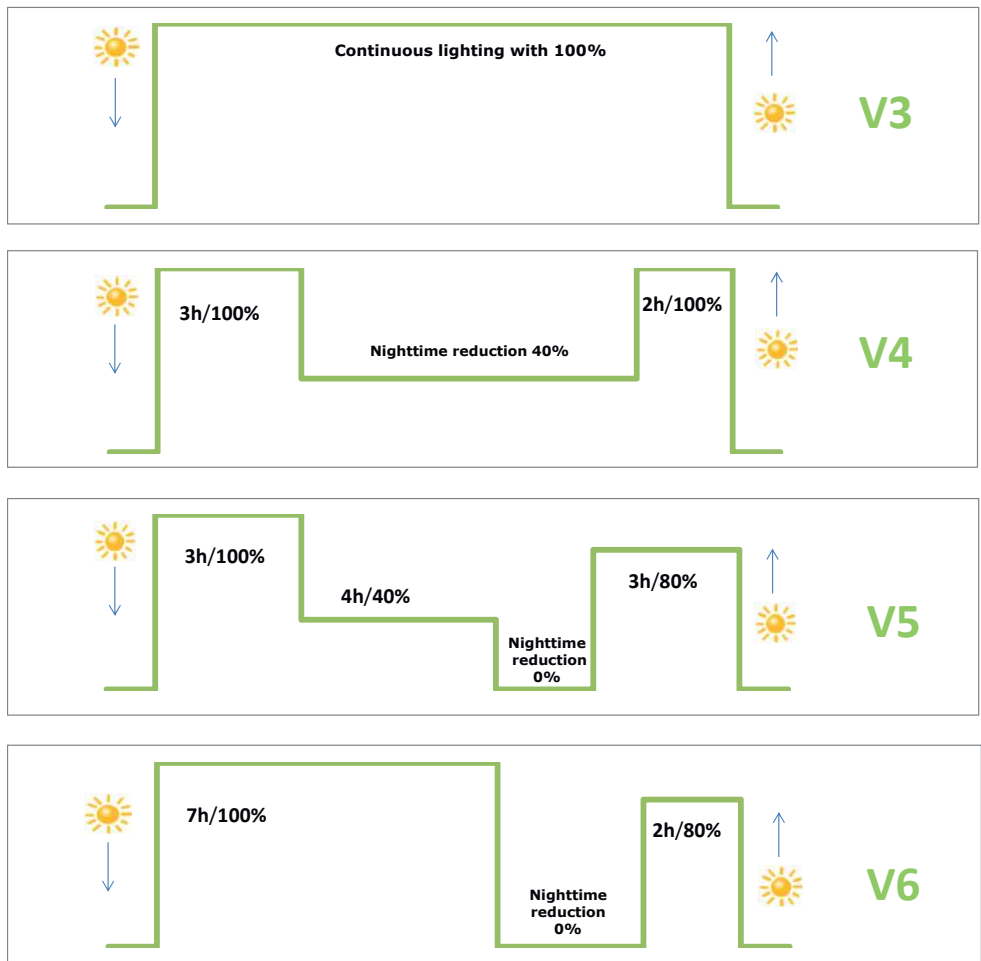
Solar module	monocrystalline silicon cells with exceptional efficiency specially processed by photinus
Efficiency	21,5%
Max. performance of the energy column Pmpp	22Wp / 1 solar module — module are also charged up in cloudy conditions.
Dimensions Solarmodule	698 mm x 230 mm x 5 mm
Battery	NiMh / 12V 9Ah
Operating temperature	Charge and discharge temperature - 45°C to + 85°C
Battery life	Cycle stability 5 years

LIGHTS

Max. luminous flux	1000 lm (Bregenz site, 47 degrees latitude: 600 lm)
Max. Efficiency	180 lm/W
LED module / max. watts	15 W
Max. back-up time	18 days (Bregenz site, 47 degrees latitude: 7 days) „Intelligent plus Modus“ 25 days (Bregenz site: 18 days)
Colour temperature	4000 K (standard)
Optics Light distribution	situational
Life of LED	>100 000 h
Protection class	IP65

ENERGY AND TIME MANAGEMENT

Standard factory setting V5



DIMENSIONS

Total height from ground level	900 mm (without base plate)
Height of light from ground level	865 mm
Width of the solarlight	242 mm
Strength of the solarlight	52 mm
Base plate	255mm x 150mm x 10mm
Material of Solarlight	galvanised and powder-coated steel „Sparkling iron effect dark“

DIMENSIONS AND WEIGHTS FOR DISPATCH

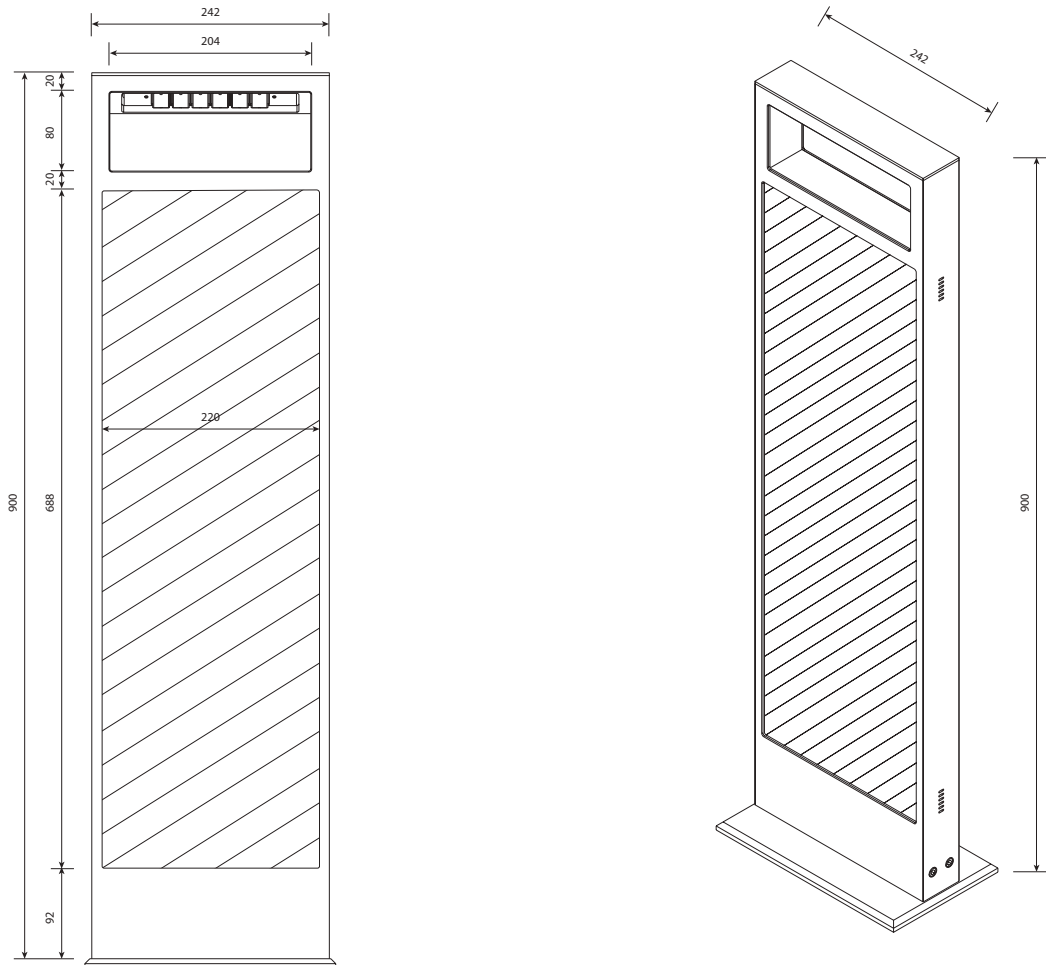
Solar light in box	920 mm x 270 mm x 80 mm
Weight	16 kg

MAINTENANCE CYCLES | WARRANTY

Material warranty	3 years (incl. battery)
PV module warranty (The warranty period is deemed to start on the date of manufacture)	2 years with 100% product guarantee 5 years warranty at 90% minimum output 10 years warranty at 80% minimum output

(technical changes reserved)

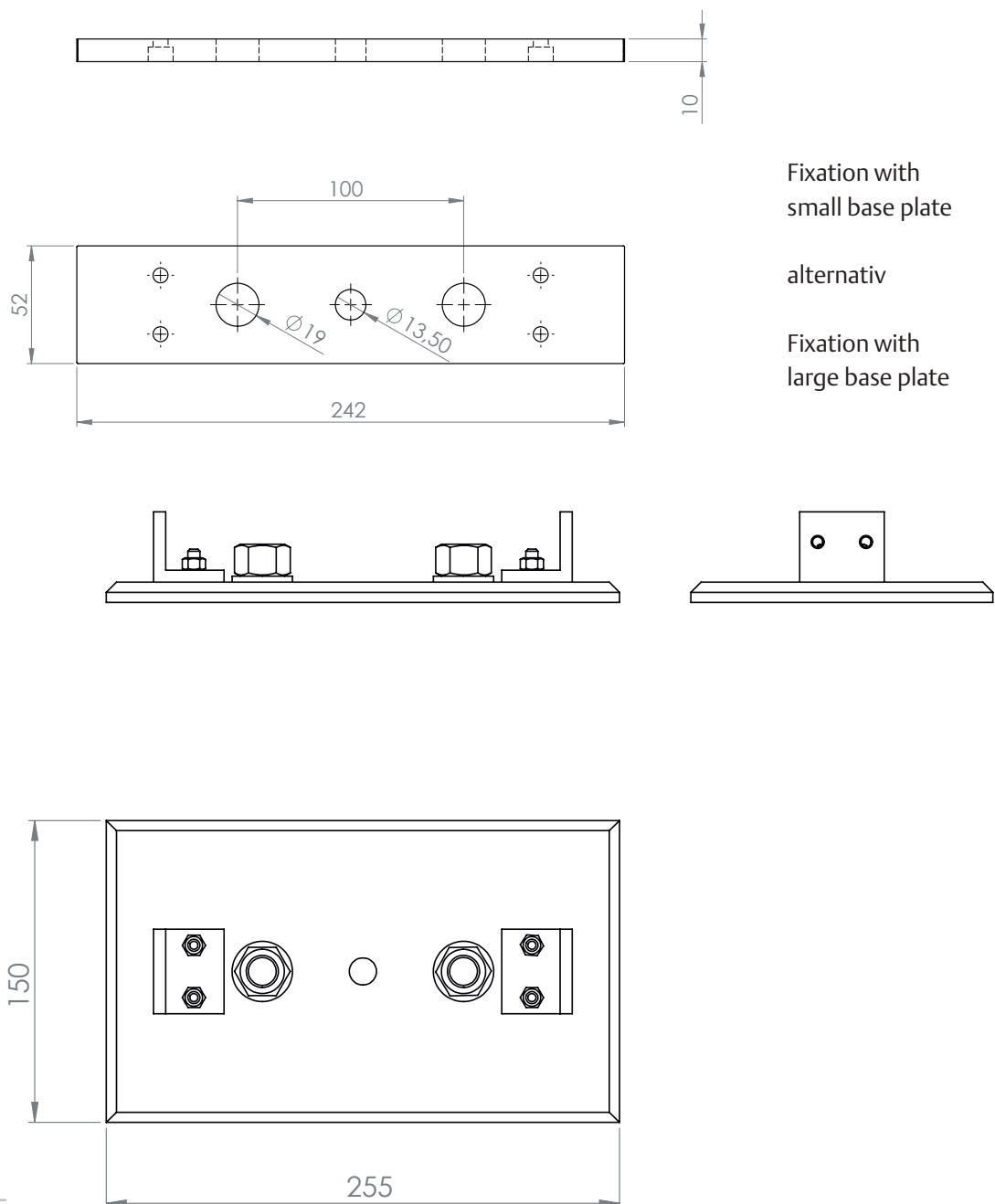
DIMENSIONS



3

OPTIONS FOR ASSEMBLY

OPTION 1 - CONCRETE FOUNDATION

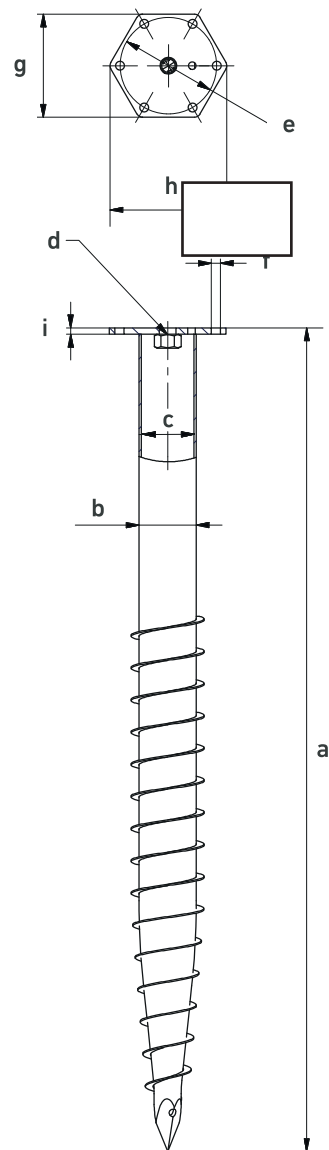


OPTION 2 - GROUND SCREW

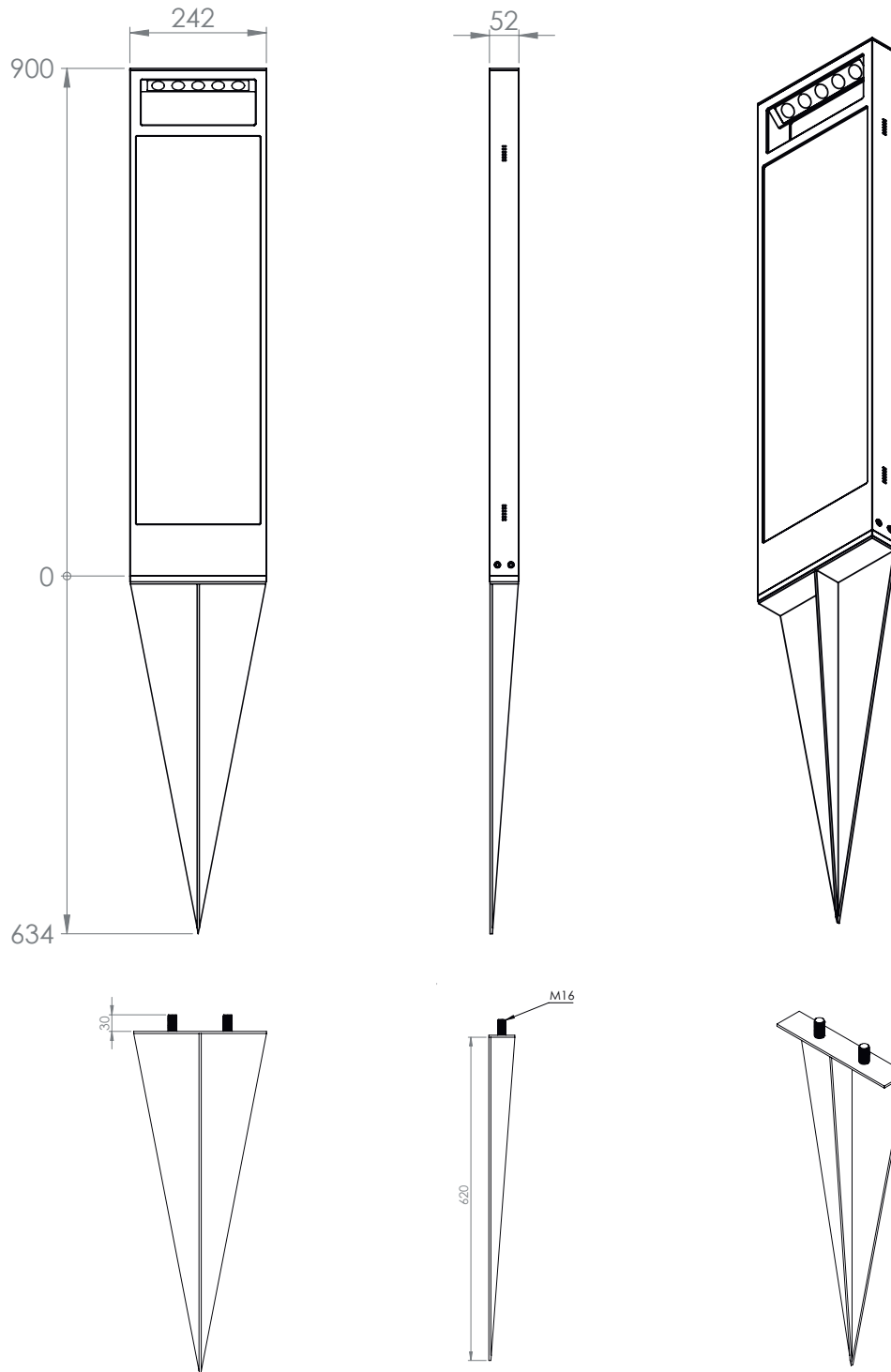
The fixing of the juno solar light with a Krinner ground screw is only possible with the baseplate (255 mm x 150 mm x 10 mm)!

**KRINNER Ground Screw
 KSF M 76 x 800-M12**

a Length (+/- 25mm)	815 mm
b Shaft outer diameter	76,10 mm
c Inner diameter	70,90 mm
d Thread	M12
e Pitch circle diameter	116 mm
g Flange wrench size	120 mm
h Flange outer diameter	136 mm
i Flange thickness	5 mm



OPTION 3 - MOUNTING WEDGE



LANDSCAPE (DIALUX)

